

WARRANTY CARD

1. KH Trading machines and tools are covered by 6/24 months warranty, starting on the date of purchase, as described in the Civil Code (proof of purchase or invoice receipt must be enclosed with the warranty card when making a claim).
2. This warranty does not cover defects caused by unprofessional handling, machine overloads, not complying with instructions contained in this manual, using accessories that are not approved, unauthorized repair, regular wear and tear and damages occurred during transport. Further, this warranty does not cover parts and accessories such as the motor, carbon brushes, seals and hot-air operated parts and parts that need to be changed regularly.
3. If the repair is to be found as not covered by the warranty policy, all costs including the repair and shipping to and from the repair centre will be paid by the customer, according to valid price list. See www.
4. When making a claim, you must present the warranty card, showing the date of the purchase, the serial number of the machine, vendor stamp and signature of sales clerk, as well as the proof of purchase receipt.
5. Warranty claim shall be made at the vendor shop where you bought your machine or you may mail it to a service centre. The vendor is obligated to fill out the warranty card (date of sale, serial number, vendor stamp and signature). All these information must be filled in at the time of sale.
6. The warranty period will be extended for the period of time for which the machine has been in the service centre possession. If the repair or defect is not covered by the warranty policy, all costs including the repair and shipping will be paid by the owner of the machine / tool. We recommend sending the machine in its original packaging. Please, also enclose brief description of the defect with the packaging.
7. Before sending the machine for repair, clean it thoroughly. If the received machine is dirty, it may be rejected by the service shop or you may be charged a cleaning fee.

SERVICE

Logistic centre Klecany

Topolová 483

250 67 Klecany

Czech Republic

Claim department phone number: 266 190 156

T-mobile: 603 414 975

266 190 111

O2: 601 218 255

Fax:

260 190 100

Vodafone: 608 227 255

<http://www.KHnet.cz>

Email: servis@KHnet.cz

Product: HYDRAULIC BEARING PULLER 10 T	
Type: 281810	Serial number (product series):
Date of manufacture:	Repair centre notes:
Date of sale, stamp, signature:	

Without the correctly filled warranty card or without proof of purchase receipt, including the product type (invoice, purchase receipt) no warranty claim will be processed.

uni-max

USER'S MANUAL

HYDRAULIC BEARING PULLER 10 t



281810

SAFETY PRECAUTIONS

- **This device may be used by a qualified person, 18 years or older who has been trained in work and environmental safety procedures.**
- **Any person using this equipment must possess a medical certificate demonstrating his eligibility to operate this equipment.**

Symbols used in this manual



Warning!

This symbol informs you about the risk of personal injury or damage to the machine or materials.



Warning!

Danger of damage.



Note:

Additional information.



Use personal safety gear.



General instructions

- Plastic bags and packaging materials pose danger for small children and animals.
- Make sure you know how to control your tool or machine and that you are familiar with its operating procedure. Know the hazards that may occur, if not used correctly.
- If other person is using this machine make sure that he knows how to safely operate this equipment and that he is familiar with hazards and risk that may occur, if not used correctly.
- Pay special attention to safety notes and safety labels on the machine. Do not remove or damage them. If the warning label becomes unreadable, please contact your vendor.
- Keep your working place clean. Dirty and disorganized workplace may cause accidents.
- Never work in poorly lit, narrow or too crowded rooms. Make sure the floor is solid and stable and that you can move around easily. Always keep stable posture.
- Keep focusing and use common sense. Do not continue working if you cannot pay attention.
- Maintain your tools clean and in safe working conditions.
- Handles must be kept free of grease and dirt.
- Make sure no children, unauthorized persons or animals have access to your workshop.
- Do not put legs or hands inside the working space.
- Never leave your machine unattended during operation.
- Use only for purposes for which it has been designed.
- Use personal protective gear such as safety goggles, ear protection, respirator, safe working shoes etc.
- Do not overreach, use both hands.
- Never work under the influence of alcohol or other drugs.
- Do not use the machine/tool if you feel dizzy or weak.
- Any modifications or improvements to the machine are strictly prohibited. DO NOT USE if you discover bent part, crack or other damage to your machine.

- Never perform any maintenance during operation.
- If you see any unusual sign or hear any strange sound, switch off the machine immediately.
- Do not forget to remove all wrenches and/or screwdrivers from the machine.
- Before use, make sure all screws are tightened securely.
- Perform maintenance regularly. Before use make sure the machine is in good working conditions and without any damage.
- Use only original spare parts during repairs.
- Using extension pieces or accessories not approved by the manufacturer may cause injuries to the operating personnel.
- Use this machine only for work that could be handled by it. Do not overload tools, accessories or the machine. For large work volume use more powerful machine.
- Do not overload your device. Measure the work load in such way, so it could be done with comfortable speed. Damages due to machine overload are not covered by the warranty policy.
- Do not expose to extremely high temperature or direct sunlight.
- This machine is not designed for use in humid environments or under water.
- If you are not using your equipment, store it in a dry and locked place, out of reach of children.
- Before use make sure that all safety elements work correctly and efficiently. Make sure all moving parts are in good working conditions.
- Before use make sure that no part is cracked or stuck, Make sure all parts are attached and assembled as designed. Also take into consideration other conditions that may have a negative effect on the proper function of your machine.
- If not stated otherwise in this manual, all damaged parts and safety elements must be repaired or changed.

Fine mechanics

- Never use a vise to hold you device.
- Protect your machine from fall and impact. When you finish your work store your equipment back inside the briefcase.

Assembly

- Do not use the machine unless completely assembled.

Automotive repair shop equipment

- Before performing any maintenance, shift the gear into neutral, apply the vehicle hand break or use other means to prevent the vehicle form accidental move.

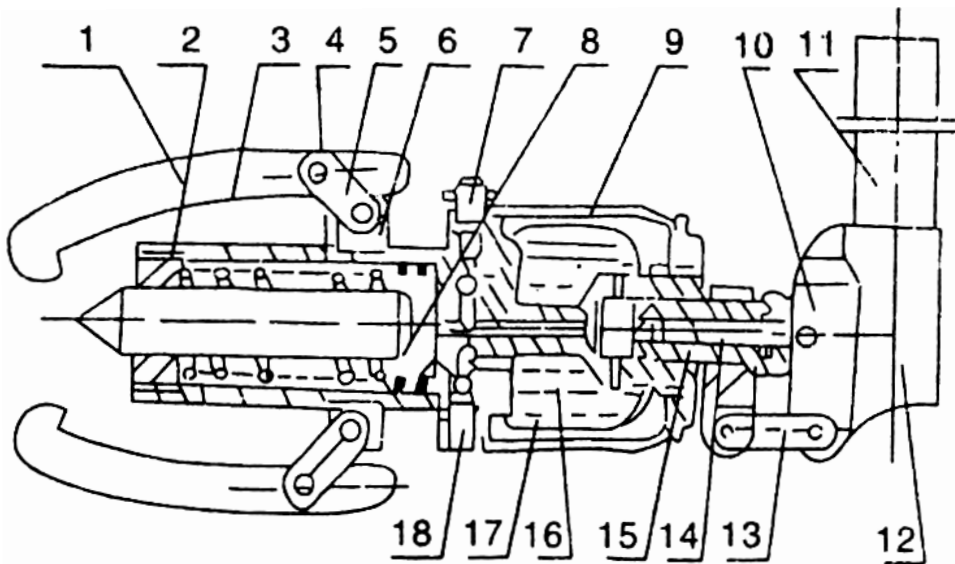
Hydraulic equipment

- Small escape trace of hydraulic fluid form the hydraulic pump and from other hydraulic equipment is usual phenomenon and it is not considered as defect. If there is a shortage of hydraulic fluid it must be refilled regularly.
- Before uncoupling compressed air piping or hose, turn off the air pressure supply. Wait until the pressure equalizes.
- Before starting your work, inspect all couplings and piping for leakage. If leak is found repair it immediately.
- Never put more stress/weight on the hydraulic cylinder than the maximum allowed weight.
- Do not try to extend the piston bar using excessive force. It may come out of the cylinder completely.
- Keep your tools far away from heat sources and fire to prevent damages to your tools.

PART LISTING

Position.	Name	Number of pieces
1	Jaw	3
2	Piston rod	1
3	Spring	1
4	Hydraulic cylinder	1
5	Connecting plate	6
6	Socket with arms	1
7	Reverse valve	1
8	Piston	1
9	Outer body	1
10	Socket	1
11	Handle	1
12	Socket	1
13	Piston rod	2
14	Piston	1
15	Pump body	1
16	Hydraulic fluid reservoir	1
17	Cover	1
18	Screw	1

DETAILED DRAWING



- Hydraulic fluid spill on floor creates danger of slipping and risk of personal injuries. If you discover spill have it cleaned immediately. In accordance with the rules of waste law management, absorbing substances or wool must be properly stored in enclosed metal container and delivered to authorized waste collection centre.
- Do not mix different hydraulic fluids together (e.g. from different manufactures).
- Follow the hydraulic fluids change periods.
- Make sure that you are using clean hydraulic fluids. Dirt in the fluid significantly lowers the lifespan of the fluid and may cause irreversible damages to your machine.
- Use protective plugs and covers to prevent dirt from entering the machine.

⚠ Hand tools

- Never use a vise to hold you device.
- Always have the work piece securely fastened and use extreme caution when releasing it or handling.

⚠ Power equipment

- If your machine is equipped with depressed springs, use suitable device to release them slowly and safely.
- Before throwing the packaging material out, make sure no part is left inside. If so, take it out and install it. Use the part listing for check-up and the installation drawing for guidance.

ASSEMBLY

- Before throwing the packaging material out, make sure no part is left inside. If so, take it out and install it. Use the part listing for check-up and the installation drawing for guidance.

Puller assembly

- Screw the socket with the pulling arms (6) on the puller body.
- Mount the connecting plates (5) to each arm using nuts, bolts and washers. There are two connecting plates per each pulling arm.

OPERATION

- Before use screw in the reverse valve (7). Turn the valve clockwise to do so.
- Set the jaw (1) in accordance with the part size that you wish to pull out.
- Turn the puller in the socket with the arms (6) to set the required distance of the arms, the pressed part and the pulled stud and tighten by hand to pre-tension the jaw.
- Inspect the stability of the puller and the pulled part taking into consideration the risk of injuries that may occur if the part or the puller is ejected during the pulling process.
- Slide the handle (11) into the hole in the socket (12) and move the handle.
- The piston bar (2) starts to move out initiating the pressing/pulling process.
- When the piston bar moves all the way in, slowly turn the reverse valve (7) counter clockwise.
- The piston moves back due to the reverse spring.
- Do not try to extend the piston bar more than 50 mm.
- If full lift of the piston is not enough, release the reverse valve by turning it clockwise.
- Press the piston bar in and turn the socket to set suitable distance.

MAINTENANCE

- Keep your tools clean. Dirt may enter the inner mechanism of your machine and cause damage.
- Do not use aggressive cleaning solution or paint thinners to clean the machine.
- Clean plastic parts with cloth dipped in soap water.
- Clean and lubricate metal surfaces with a cloth dipped in paraffin oil.
- If you are not using your machine, conserve it with grease and store it in dry place to prevent corrosion.

Hydraulics

Fluid refill:

- Before refilling, inspecting or changing hydraulic fluid, clean thoroughly the immediate surrounding area of the filling openings and caps. That way no dirt may enter the hydraulic system and damage it.
- Check the level of the hydraulic fluid only if the pump unit is in a horizontal position. Pull out the dipstick (if your machine is equipped with one) and check the fluid level.
- If needed, refill the hydraulic fluid all the way to the top edge (or according to the level measuring dipstick).
- Your hydraulic pump had been filled with a high quality hydraulic fluid before shipping. Use approved hydraulic fluid only.
- Hydraulic fluid should be changed after long time of use to ensure long operational life of your machine. Remove the fluid plug, open the valve and drain the fluid out of the system. Make sure no dirt may enter the hydraulic system. Refill with high quality hydraulic fluid.

Lubrication

Lubricate working surfaces with suitable grease regularly.

DISPOSAL

- Used hydraulic fluids must be disposed off in accordance with the Law of waste disposal management.

When the operational life of your device is over, dispose off it in accordance with valid rules and regulations. Your product is made of metal and plastic parts that may be recycled when separated.

1. Disassemble all parts.
2. Separate all parts according to the material they are made of (e.g. metals, rubber, plastics, etc.).

Take the separated parts to the recycling facility near you.

Information about the locations of recycling centres may be found at your local City office or throughout an Internet search.

CAUTION

If the machine breaks down, send it back to the vendor for quick repair.

Please, enclose brief description of the defect. That makes repair easier. If the machine is still covered by warranty, enclose the warranty card and proof of purchase receipt. After the warranty period expires, we repair your machine for a special price.

To prevent possible damages during shipping, packed the machine carefully or use the original packaging material. We are not liable for shipping damages due to incorrect packaging of your machine. If making a claim at the shipping company the level and method of packaging plays a major role during claim evaluation process.

Note: Pictures and contents in this manual may slightly differ from the actual product or accessories. It is due to continuous improvement of our products. Such small differences have no effect on the product functionality.